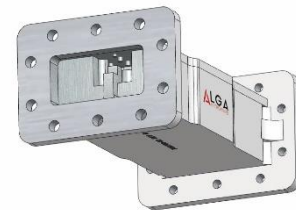


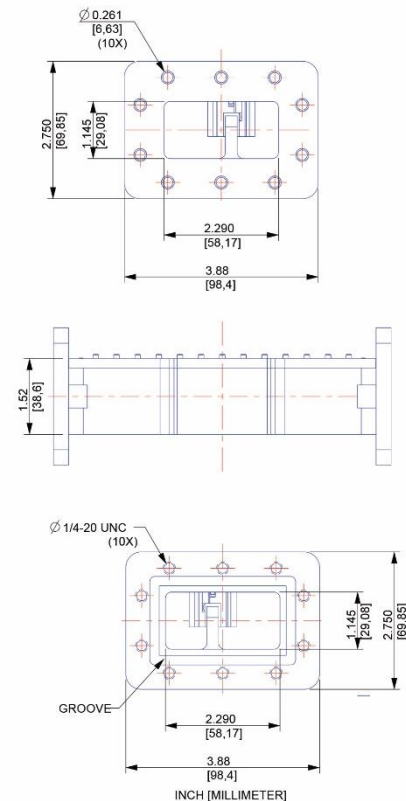
C-Band 5G Interference Reject Filter for Satellite Uplinks

Applications

- Protect Satcom links from potential 5G Interference
- Environmentally sealed, moisture resistant (IP 67)
- Easy installation between the LNB and feed.



Technical Specifications	
Group 1 Filter	
Passband	3900 - 4200 MHz
Group Delay Variation	1.45 nSec max within ± 0.5 MHz
Insertion Loss	1.3 dB max
Rejection	50 dB min at 3880 MHz 25 dB min at 4230 MHz
Return Loss	19 dB min
Group 2 Filter	
Passband	3780 - 4200 MHz
Group Delay Variation	1.45 nSec max within ± 0.5 MHz
Insertion Loss	1.3 dB max
Rejection	60 dB min at 3760 MHz 25 dB min at 4230 MHz
Return Loss	19 dB min
Group 3 Filter	
Passband	3820 - 4200 MHz
Group Delay Variation	1.45 nSec max within ± 0.5 MHz
Insertion Loss	1.3 dB max
Rejection	60 dB min at 3800 MHz 25 dB min at 4230 MHz
Return Loss	19 dB min
Group 4 Filter	
Passband	4020 - 4200 MHz
Group Delay Variation	1.45 nSec max within ± 0.5 MHz
Insertion Loss	1.3 dB max
Rejection	60 dB min at 4000 MHz 25 dB min at 4230 MHz
Return Loss	19 dB min
Group 5 Filter	
Passband	4000 - 4200 MHz
Group Delay Variation	1.45 nSec max within ± 0.5 MHz
Insertion Loss	1.3 dB max
Rejection	60 dB min at 3980 MHz 25 dB min at 4230 MHz
Return Loss	19 dB min
Mechanical Properties	
Interfaces	Flange: UDR40 CPR-229 FLAT Flange: PDR40 CPR-229 GROOVED
Dimensions (L x W x H)	171 mm x 71 mm x 70 mm
Environmental Properties	
Operating Temperature	-40°C to +55°C



Ref.: PB-ALTX-IRF-C-001-20337