

1:1 Redundant Switch Panel for Frequency Converters

Switch Controller-less ARSP-1

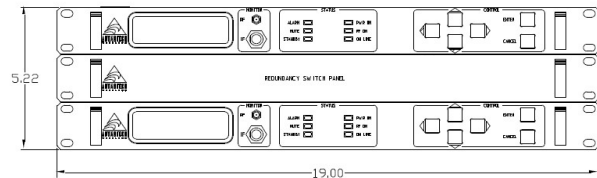
Features

- No external switch controller, built-in 1:1 redundant control logic in frequency converter
- Cost effective solution
- Total 3RU with Redundant Switch Panel
- Fast alarm detection and switch
- Front panel display of status and control functions



Overview

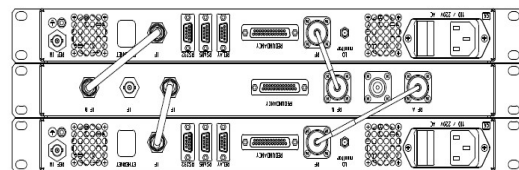
The ARSP-1 1:1 redundant switch panel for Frequency Converters will handle one on-line frequency converter and one backup frequency converter for IF input /RF output switching. No external controller is required and the switching logic is built-in in the frequency converters. Cost-effective solution and easy to deploy.



Front View of 1:1 Redundant System shown

Application

The ARSC-1 1:1 redundant switch panel of Frequency Converters is a compact shelf assembly designed to provide logic and control of IF input switch units and RF output switch units. If on-line frequency converter fails, it will immediately send an alarm by a dedicated line in the ribbon daisy-chain cable to the spare frequency converter. At almost same time, the spare frequency converter will send switch commands to IF input & RF output switches and configuration information including frequency and attenuation of failed frequency converter to the backup frequency converter before it will be switched to be on-line. Typically, total switch time will be less than 50ms.



Rear View of 1:1 Redundant System shown

1:1 Redundant Switch Panel for Frequency Converters

Interfaces

IF	BNC-type 75 Ω
RF	N-type 50 Ω
Redundancy	D-sub 25

Option: other type of connector is available

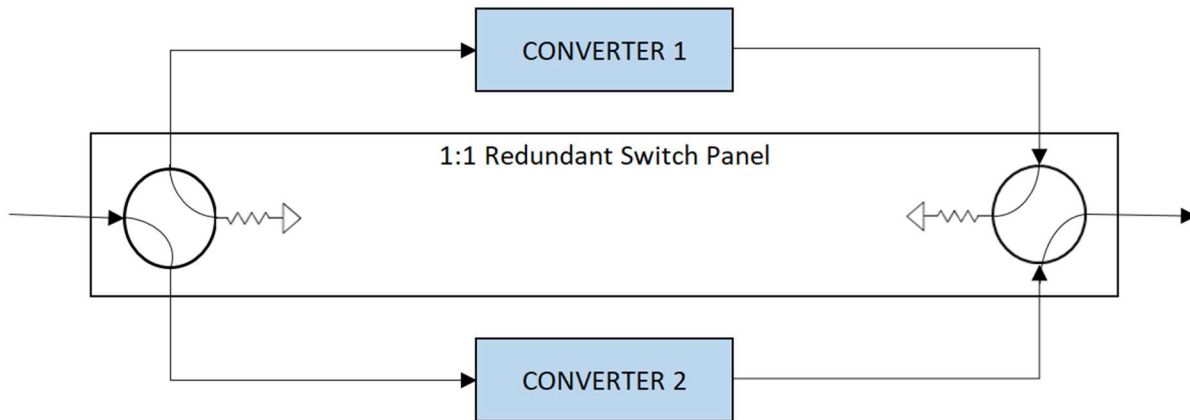
Mechanical

Dimensions

Width	19" (482.6 mm)
Height	1U 1.75" (44.45 mm)
Depth	20" (254 mm)
Weight	3.6Kg (8 lbs.) max

Environmental

Operational	0°C to +50°C standard
Storage	-55°C to +85°C
Humidity	Non-condensing
Altitude	10,000m AMSL



Block Diagram of 1:1 Redundant System with Down-Converters shown

Ref.: PB-FC11-SWITCHCONT-22321

NORTH AMERICA

USA
info.usa@advantechwireless.com

CANADA
Info.canada@advantechwireless.com

EUROPE

UNITED KINGDOM
info.uk@advantechwireless.com

SOUTH AMERICA

info.latam@advantechwireless.com

BRAZIL
info.brazil@advantechwireless.com

ASIA

info.asia@advantechwireless.com

INDIA
info.india@advantechwireless.com