

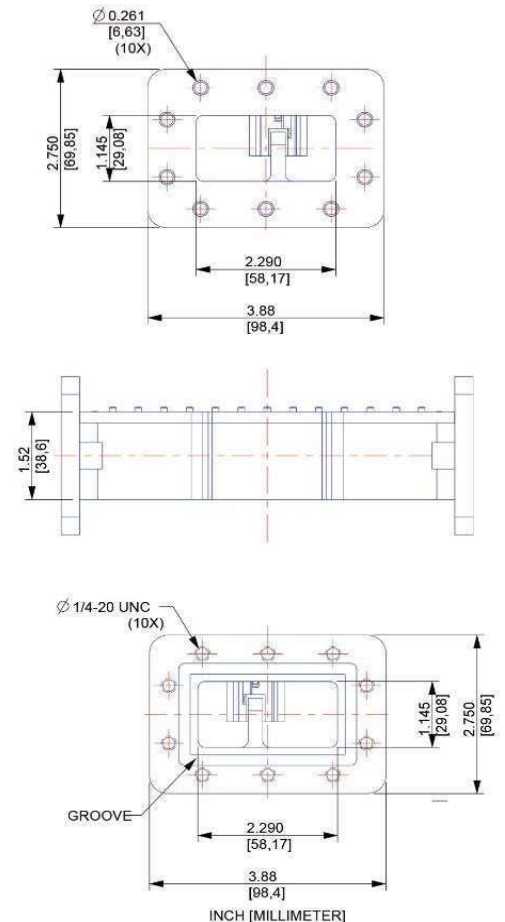
C-Band 5G Interference Reject Filter

For Sat-com Systems

Applications

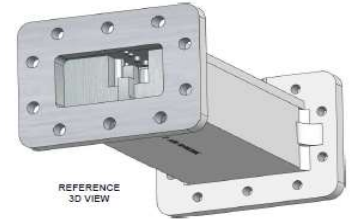
- Protect Satcom links from potential 5G Interference
- Environmentally sealed, moisture resistant (IP67)
- Easy installation between the LNB and feed

ELECTRICAL PROPERTIES - WHITE		
GROUP A FILTER	Passband	3860 - 4200 MHz
	Group delay variation	1.3 nSec MAX Within 0.5 MHz
	Insertion loss	1.1 dB MAX
	Rejection	25 dB MIN AT 3840 MHz
	Return loss	19 dB MIN
GROUP B FILTER	Passband	3860 - 4200 MHz
	Group delay variation	1.0 nSec MAX Within 0.5 MHz
	Insertion loss	0.9 dB MAX
	Rejection	45 dB MIN AT 3820 MHz
	Return loss	25 dB MIN
GROUP C FILTER	Passband	3940 - 4200 MHz
	Group delay variation	1.3 nSec MAX Within 0.5 MHz
	Insertion loss	1.1 dB MAX
	Rejection	25 dB MIN AT 3920 MHz
	Return loss	19 dB MIN
GROUP D FILTER	Passband	3940 - 4200 MHz
	Group delay variation	1.0 nSec MAX Within 0.5 MHz
	Insertion loss	0.9 dB MAX
	Rejection	45 dB MIN AT 3900 MHz
	Return loss	25 dB MIN
GROUP E FILTER	Passband	3900 - 4200 MHz
	Group delay variation	1.3 nSec MAX Within 0.5 MHz
	Insertion loss	1.1 dB MAX
	Rejection	25 dB MIN AT 3880 MHz 25 dB MIN AT 4230 MHz
	Return loss	19 dB MIN
GROUP EI FILTER	Passband	3900 - 4200 MHz
	Group delay variation	1.45 nSec MAX Within 0.5 MHz
	Insertion loss	1.3 dB MAX
	Rejection	40 dB MIN AT 3880 MHz 25 dB MIN AT 4230 MHz
	Return loss	19 dB MIN
GROUP F FILTER	Passband	3840 - 4200 MHz
	Group delay variation	1.3 nSec MAX Within 0.5 MHz
	Insertion loss	1.1 dB MAX
	Rejection	25 dB MIN AT 3820 MHz 25 dB MIN AT 4230 MHz
	Return loss	19 dB MIN

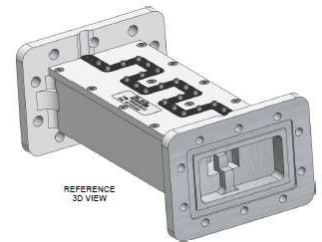


C-Band 5G Interference Reject Filter For Sat-com Systems

ELECTRICAL PROPERTIES - RED		
GROUP G FILTER	Passband	3900 – 4200 MHz
	Group delay variation	1.45 nsec max within ± 0.5 MHz
	Insertion loss	1.3 dB max
	Rejection	50 dB min at 3880 MHz
		25 dB min at 4230 MHz
Return loss	19 dB min	
GROUP H FILTER	Passband	3780 – 4200 MHz
	Group delay variation	1.45 nsec max within ± 0.5 MHz
	Insertion loss	1.3 dB max
	Rejection	60 dB min at 3760 MHz
		25 dB min at 4230 MHz
Return loss	19 dB min	
GROUP I FILTER	Passband	3820 – 4200 MHz
	Group delay variation	1.45 nsec max within ± 0.5 MHz
	Insertion loss	1.3 dB max
	Rejection	70 dB min below 3700 MHz
		60 dB min at 3800 MHz
		50 dB min at 3803 MHz (temp drift)
25 dB min above 4230 MHz		
Return loss	20 dB min	



ELECTRICAL PROPERTIES - BLUE		
GROUP J FILTER	Passband	4020 – 4200 MHz
	Group delay variation	1.45 nsec max within ± 0.5 MHz
	Insertion loss	1.3 dB max
	Rejection	60 dB min at 4000 MHz
		25 dB min above 4230 MHz
Return loss	19 dB min	
GROUP K FILTER	Passband	4000 – 4200 MHz
	Group delay variation	1.45 nsec max within ± 0.5 MHz
	Insertion loss	1.3 dB max
	Rejection	70 dB min below 3900 MHz
		60 dB min at 3980 MHz
		50 dB min at 3983 MHz (tempdrift)
25 dB min above 4230 MHz		
Return loss	20 dB min	





C-Band 5G Interference Reject Filter For Sat-com Systems

ELECTRICAL PROPERTIES - YELLOW		
GROUP L FILTER	Passband	3700 – 4200 MHz
	Group delay variation	1.45 nSec max within ± 0.5 MHz
	Insertion loss	1.3 dB max
	Rejection	55 dB min at 3680 MHz
		25 dB min at 4230 MHz
Return loss	16 dB min	
GROUP M FILTER	Passband	3720 – 4200 MHz
	Group delay variation	1.45 nSec max within ± 0.5 MHz
	Insertion loss	1.3 dB max
	Rejection	55 dB min at 3700 MHz
		25 dB min at 4230 MHz
Return loss	16 dB min	

MECHANICAL PROPERTIES	
Interface	Flange: UDR40 CPR-229 Flat Flange: PDR40 CPR-229 Grooved
Material	Aluminum 6061
Finish	Flanges: chemical conversion Waveguide: silver plat Exterior: white paint
Weight	2.2 lbs (998g)
ENVIRONMENTAL PROPERTIES	
Operating temperature: -40°C to +50°C	

CONFIGURATION LEGEND			
White: P/N 2100318-01-GROUP-FLANGE 1-FLANGE 2			
Red: P/N 2100318-02-GROUP-FLANGE 1-FLANGE 2			
Blue: P/N 2100318-03-GROUP-FLANGE 1-FLANGE 2			
Yellow: P/N 2100318-04-GROUP-FLANGE 1-FLANGE 2			
FLANGE 1	-01: flat & thru hole	FLANGE 2	-01: flat & thru hole
	-02: flat & threaded hole		-02: flat & threaded hole
	-03: grooved & thru hole		-03: grooved & thru hole
	-04: grooved & threaded hole		-04: grooved & threaded hole

Ref.: PB-AWT-IRF-C-23012

NORTH AMERICA

USA
info.usa@advantechwireless.com

CANADA
Info.canada@advantechwireless.com

EUROPE

UNITED KINGDOM
info.uk@advantechwireless.com

SOUTH AMERICA

info.latam@advantechwireless.com

BRAZIL
info.brazil@advantechwireless.com

ASIA

info.asia@advantechwireless.com

INDIA
info.india@advantechwireless.com