

300W / 400W / 500W Ku-Band Indoor BUC/SSPB/SSPA Second Generation GaN Technology

SapphireBlu™

SSPA	ARMAg-K	SG series
SSPB (BUC)	ARMUg-K	SG series

Features

- Output power of 300W, 400W or 500W in a compact single package
- High linearity
- Redundant ready with no external controller
- Full M&C capability via RS232, RS485
- Built-in Forward and Reflected precision power metering
- Output RF calibrated Sample Port
- Redundant Systems shipped fully tested
- Infinite VSWR protection with automatic high reflected power shutdown
- Detachable power supply module
- 19" Rackmount, 5RU, 28" deep
- CE marking

Options

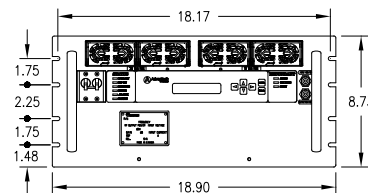
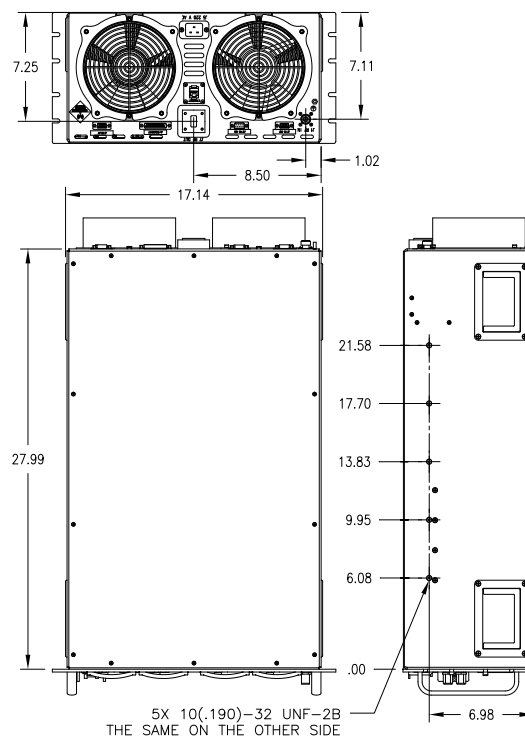
- 1:1 or 1:2 Redundant configuration
- L-Band input (SSPB/BUC operation)
- Internal/External reference with auto-sensing
- Ethernet port

Accessories

- Mounting slides
- Remote M&C panel with optional SNMP
- Flexible and rigid waveguides

Overview

The Super Compact SG Series Ku-Band SSPA/BUCs provide highest power density in the industry. Combined with the traditional Advantech Wireless features, these new series of BUCs provide the ultimate in performance and convenience.





300W / 400W / 500W Ku-Band Indoor BUC/SSPB/SSPA Second Generation GaN Technology

Technical Specifications						
Output Power	300W		400W		500W	
P_{SAT} (nominal)	+55.0 dBm		+56.0 dBm		+57.0 dBm	
P_{LINEAR}	+52.0 dBm		+53.0 dBm		+53.5 dBm	
Operating Frequency	Ku 14.0 – 14.500 GHz	KX 13.75 – 14.5 GHz				
L-Band input (BUC)	Ku 950 – 1450 MHz	KX 950 – 1700 MHz				
Gain	SSPA 67 dB min	SSPB (BUC) 75 dB min				
Gain adjustment range	20 dB in 0.1 dB steps					
Gain flatness over full band	SSPA 2dB p-p max	SSPB (BUC) 4 dB p-p max				
Gain slope over 40 MHz	SSPA ± 0.3 dB max	SSPB (BUC) ± 0.5 dB max				
Gain variation over temperature	± 1.5 dB max					
Input Impedance and VSWR	50 Ω SSPA 1.3:1	SSPB (BUC) 1.4:1				
Output VSWR	1.3:1					
Noise power density	-70 dBm/Hz in Transmit Band, -145 dBm/Hz in Receive Band (10.95GHz – 12.75 GHz)					
Spurious at P_{LINEAR}	SSPA: -65 dBc max	SSPB (BUC): -55 dBc max				
Harmonics	-50 dBc at P_{LINEAR}					
AM/PM conversion	1°/dB at P_{LINEAR}					
Third order IMD (two tones)	-25 dBc max at P_{LINEAR}					
Spectral Regrowth	-30 dBc max at P_{LINEAR} (for QPSK, 8PSK, 16APSK at 1.5 x symbol rate)					
Group delay	Ripple 1 nsec p-p max over any 40 MHz band					
Residual AM Noise	0 – 10 kHz	-45 dBc				
	10 kHz – 500 kHz	-20 (1.25 + log F) dBc	F = Frequency in kHz			
	500 kHz – 1 MHz	-80 dBc				
SSPB (BUC)						
Local Oscillator freq.	Ku – 13.050 GHz		KX – 12.800 GHz			
Internal Reference frequency (optional)	10 MHz					
	Aging/day $\pm 2 \times 10^{-10}$	Aging/year $\pm 5 \times 10^{-8}$	Stability $\pm 2 \times 10^{-8}$	over temp range		
Phase Noise	-53 dBc/Hz at 10 kHz		-73 dBc/Hz at 1000Hz		-93 dBc/Hz at 100 kHz	
	-63 dBc/Hz at 100Hz		-83 dBc/Hz at 10 KHz			
External Reference	10 MHz					
Frequency phase noise (max)	-120 dBc/Hz at 10Hz		-150 dBc/Hz at 1000Hz		-160 dBc/Hz at 100 kHz	
	-135 dBc/Hz at 100Hz		-155 dBc/Hz at 10 kHz			
Weight & Dimensions						
Dimensions (L x W x H)	19" rackmount 5U high , 28" deep					
Weight	99 lbs (44kg)					
AC input voltage	220V AC $\pm 20\%$ (47 – 63 Hz) PF 0.95 min					
Power consumption (nominal)	2200W at P_{LINEAR} 2800W at P_{SAT}		2500W at P_{LINEAR} 3200W at P_{SAT}		2600W at P_{LINEAR} 3400W at P_{SAT}	
Interfaces	Input (RF or L-Band)	N type female	RF output	WR 75	AC line	IEC 320 inlet
	Output Sample Port	N-type female	RS-232 serial port	D-sub 9S	RS-485	D-sub 9S
	Redundancy	D-sub 25S	Relay	D-sub 9P	Ethernet (option)	RJ-45
Environmental	Temperature	Operating 0°C to +50 °C Storage -55°C to +85 °C				
	Humidity	5% to 95% non-condensing				
	Altitude	10,000' AMSL, de-rated by 2 °C/1000' from AMSL				

Ref.: PB-SSPBg-2G-Ku-Rack-300W-500W-001-24164

NORTH AMERICA

USA
info.usa@advantechwireless.com

CANADA
Info.canada@advantechwireless.com

EUROPE

UNITED KINGDOM
info.uk@advantechwireless.com

SOUTH AMERICA

info.latam@advantechwireless.com

BRAZIL
info.brazil@advantechwireless.com

ASIA

info.asia@advantechwireless.com

INDIA
info.india@advantechwireless.com